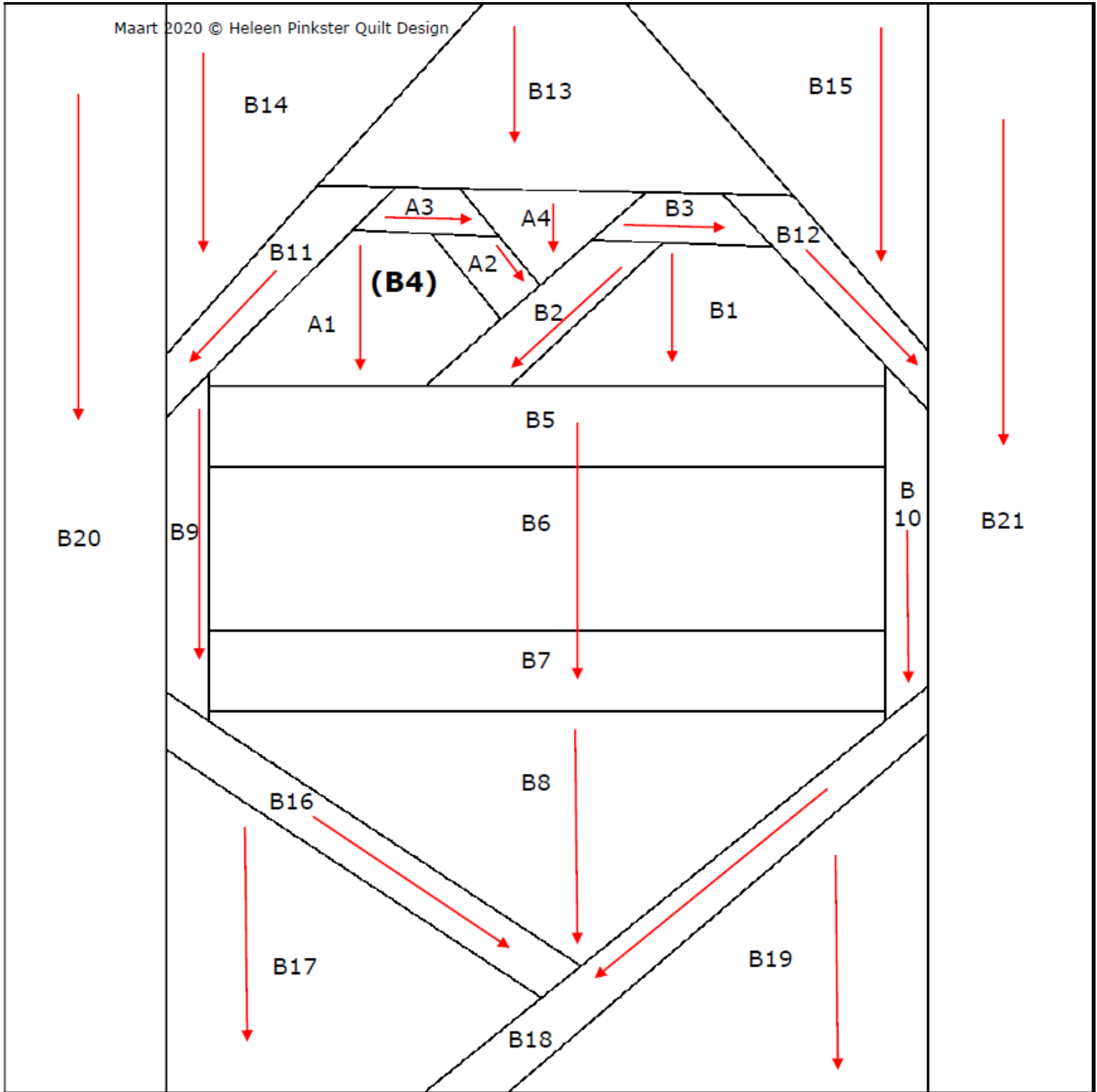


Maart 2020 © Heleen Pinkster Quilt Design

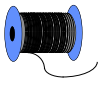


Piecing directions:

- A1-4 = (B4) First sew A1-4, This part (A1-4) will be used as part B4
- B1-21
- B5-B7 will be made from 3 different parts. You can also use one folded part, so it will look like a real 3D facemask. Cut a piece of fabric 14x14 cm. Fold wrong sides together and sew 3cm near the fold from left to right. Iron the seam open, and also iron the folded part open. (see picture). This piece of fabric will be used as part B5-7.
- Insert a kind note to say ,Thank you' to a nurse, policeman, shopowner or just someone you love.
- Stay home, stay safe.

Heleen  Pinkster

Voor persoonlijke bestellingen, schrijf of mail naar:
 Heleen Pinkster, Wildforster 116, 3772 WH, Barneveld
 Internet: www.heleenpinkster.nl
 Email: info@heleenpinkster.nl

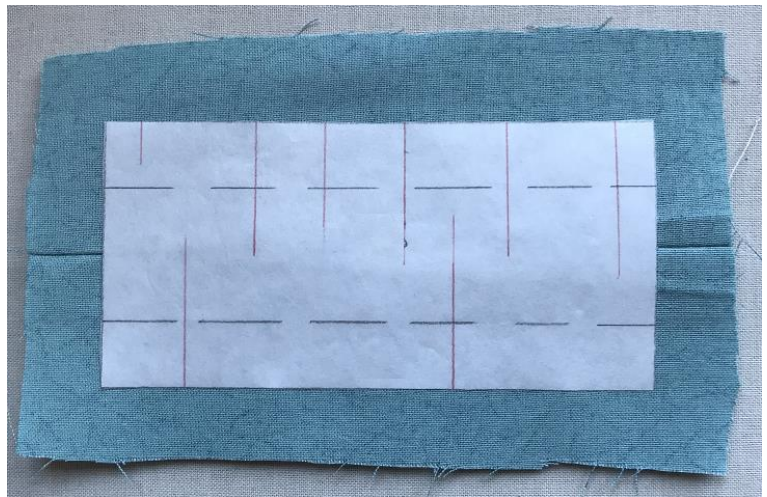


Foundationpiecing pattern Facemask / Thank you – stay strong

mondkapje / hart onder de riem
Mundkappe / Stark unter der Maske
Facemask / Thank you - stay strong



www.heleenpinkster.nl



Heleen  Pinkster

Voor persoonlijke bestellingen, schrijf of mail naar:
Heleen Pinkster, Wildforster 116, 3772 WH, Barneveld
Internet: www.heleenpinkster.nl
Email: info@heleenpinkster.nl